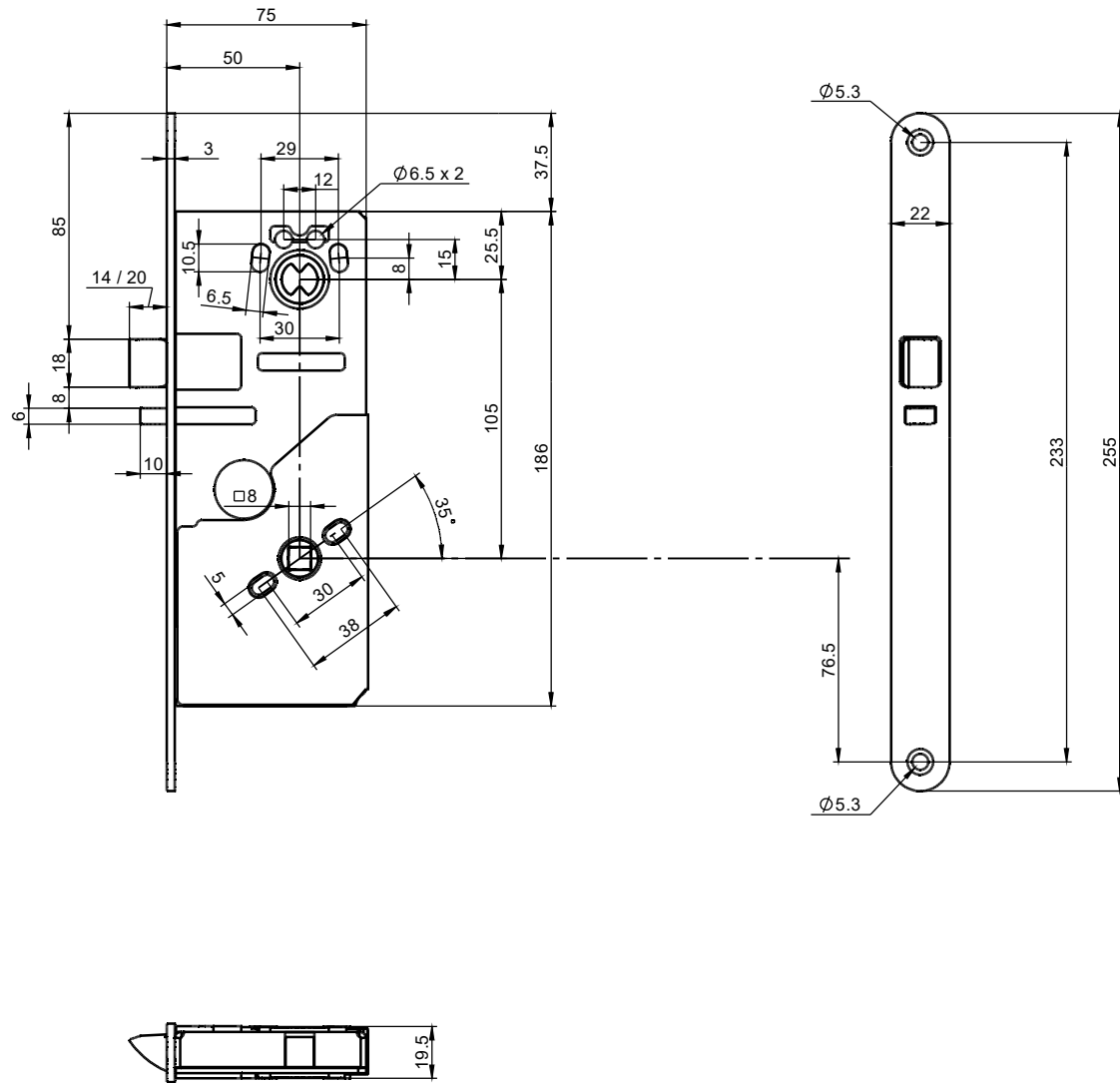


This document is our property and shall not without our permission be altered, copied, used for manufacturing or communicated to any other person or company.



Surface: 456466			Material:			General tolerance: ISO 2768-mH		
Volume:	Weight:	Surface area:	created: 18.09.2018 JK	designed by:	changed by:	Scale: 1:2 (A3)	Projection:	
 Abley Oy An ASSA ABLOY Group brand			ABLOY EL595, EL595FL, EL595FU			Alternate ID		
			Document ID			Rev.: 1		

Part/assy:

Configuration:Default

SHEET 1 OF 1