



## Ditec DAB205

Great power, perfect control

EN

Accesso Riservato alle Persone Autorizzate  
Staff Only

# POWERFUL



## Maximum power

Ditec DAB205 is the highest performing and most powerful swing-door opener.

The exceptional features mean that this product can be fitted in all commercial and public environments, including hospitals and airports, as well as applications with high traffic. The DAB205 can move doors weighing up to 400 kg, no problem!



## Maximum customisation

With Ditec DAB205 everything is simpler: a single operator and 2 arms make it possible to configure any entrance. If required, a customised solution can be created by adding batteries, safety sensors, program selectors, and bi-parting door control.



## Maximum safety

The new operator Ditec DAB205 is the perfect solution in terms of safety and reliability for all the heaviest applications: it is fully compliant with EU Directives including the new EN 16005 standard and is tested up to 1,000,000 cycles. For further safety in special environments, LOW ENERGY mode is available.

# Ditec DAB205



Ditec DAB205 is the ideal automation for any type of application: it offers great power and maximum control for performance that is always reliable and safe

## Performance

- The push-arm version can move doors up to 400 kg in weight; the servo-assisted motor with spring guarantees a reliable closing movement while the encoder offers perfect control of the kinematic movement
- Strong steel mechanical components and the long-lasting Dunker motor guarantee exceptional operator reliability. Ditec DAB205 has been tested up to 1 M cycles
- Perfect dynamic control also for bi-parting doors, it offers many possibilities for managing movement (overlap, contact, no contact, double exit).

## Easy to use

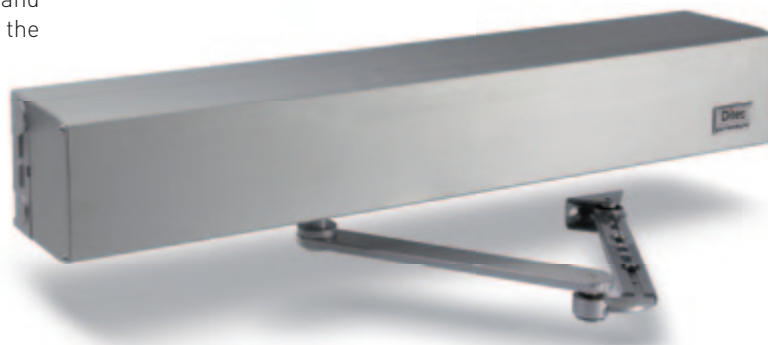
- Very easy to configure: a single operator suitable for all applications and 2 different arms, push and pull, also for fire-door applications
- Many mechanical accessories, like shaft and arm extensions, to adapt the operator perfectly to the wall and to the door position
- Configuration diagrams are available (safety and security) to add functions and other operating modes if necessary
- Large choice of operating modes, such as PUSH&GO and power assist, to meet the various different needs of the market.

## Safety

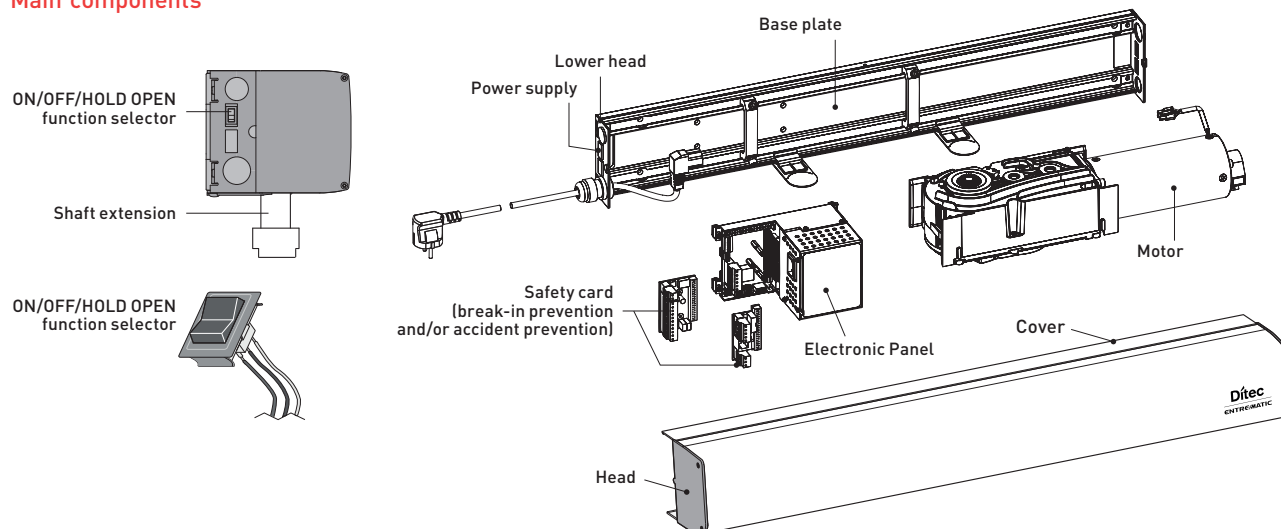
- Ditec DAB205 complies all European standards and directives, including standard EN 16005
- Safety can also be guaranteed by the use of monitored safety sensors
- In case of power failure a reliable battery kit is available which guarantees the continuous operation of the operator over time (optional)
- It's safe thanks to an external LED which shows the status of the door, and a specific LED for fire alarm status (both optional): a clear warning also for the end user in all cases of possible failure
- Ditec DAB205 has obtained SP SITAC certification for use on fire doors.

## Main Features

Type of operation	motor opening, spring and motor closing
Kinematic management	encoder
Maximum capacity (see operation diagram)	400 kg
Duration test	1,000,000 door cycles
Protection rating	IP20
Electrical protection	class I
Operating temperature	-20°C / +45°C
Opening time	2,5 ÷ 12 s (0°-80°) (adjustable)
Closing time	4 ÷ 12 s (90°-10°) (adjustable)
Door open pause time	1,5÷30 s
Product dimensions (mm)	111 x 131 x 720
Product weight	16 kg



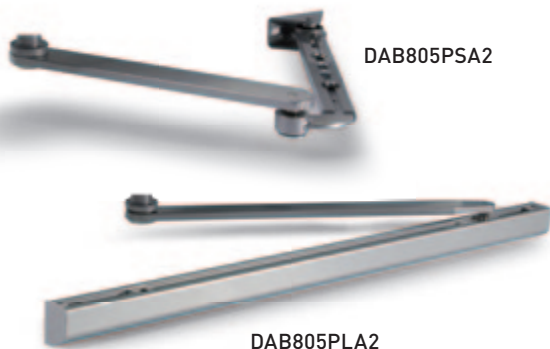
## Main components



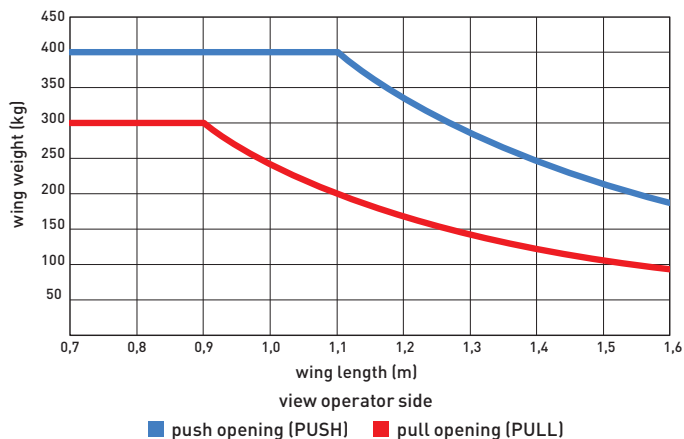
# Accessories and much more

## Movement arms

- DAB805PSA2: arm with articulated motion, also for fire-door applications
- DAB805PLA2: arm with sliding motion, also for fire-door applications



## Operation diagram



## Specific accessories

- DAB905MSW: Micro-switch kit to power electro-mechanical lock in case of mains outage (recommended for fire-door applications)
- DAB905LED: LED alarm signal kit
- DAB905RSD: RESET Kit and fire-alarm indication
- DAB905BAT2: battery kit
- DAB905ESE: extension unit for security
- DAB905ESA: extension unit for safety
- DAB905SYN: synchronism cable
- COM400MHB: mechanical switch program selector
- COM400MKB: mechanical key program selector

## Certifications



When building the system, only use Ditec accessories and safety devices.  
Every Ditec automation features CE marking and is designed and built in compliance with the safety requirements of the Machinery Directive (2006/42/EC), of the Electromagnetic Compatibility Directive (2004/108/EC) and of the Low Voltage Directive (2006/95/EC) and of other Directives, laws, specific standards for special products and situations.  
The Company reserves the right to make changes which may improve the products.  
For this reason, the technical details given are not binding.  
Pictures were taken with the consent of those concerned or in public locations.  
Further information can be found in the Technical Manuals available at the website: [www.ditecentrematic.com](http://www.ditecentrematic.com)

# ENTRE//MATIC



## Entrematic Italy S.p.A.

Via Mons. Banfi, 3 • 21042 Caronno P.lla (VA) • Italy  
Tel +39 02 963911 • Fax: +39 02 9650314  
ditec@entrematic.com  
[www.ditecentrematic.com](http://www.ditecentrematic.com) • [www.entrematic.com](http://www.entrematic.com)

Cod. P210B - 10/2015  
Ditec DAB205  
gdp milano 159565

Ditec branches are in: France, Germany, Portugal, Spain, Turkey, USA and Canada.  
For addresses and contacts visit our website [www.ditecentrematic.com](http://www.ditecentrematic.com)

