

## ABLOY® CY032

### Double cylinder for solid interior door



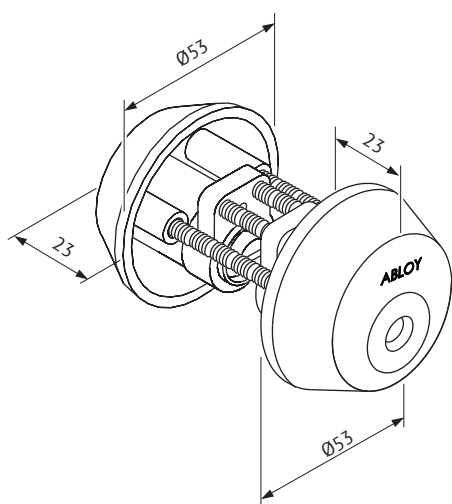
#### Product description

Double cylinder to be used with mortice lock cases for standard interior doors, both mechanical and electric lock cases.

Is operated outside and inside by a key.

#### Overview of Advantages

- Can be use with wide range of Scandinavian and Finnish type mortise lock cases for standard doors
- Suitable for inner door use
- Adjustable during installation to match different door thicknesses
- Several plating options, also antimicrobial paints



#### Technical data

Available key systems	ABLOY PROTEC, ABLOY PROTEC <sup>2</sup> , ABLOY NOVEL
Available plating options	Bright chrome (Cr), Satin chrome (HCr), Brushed nickel (NiHa),
Cylinder ring diameter	53mm
Cylinder ring height	23mm
Weight	0,59kg
Possible door thicknesses:	42...152mm

This content is protected by Intellectual Property Rights Laws. The title to the content shall not pass to you, and instead shall remain with Abloy Oy or a third party holding the title. Abloy develops continuously the products and solutions offered. Therefore, the information contained in the document is subject to change without notice. ABLOY PROVIDES THIS CONTENT ON AN "AS IS" BASIS WITHOUT ANY WARRANTIES OF ANY KIND, EXPRESS, IMPLIED, OR STATUTORY."