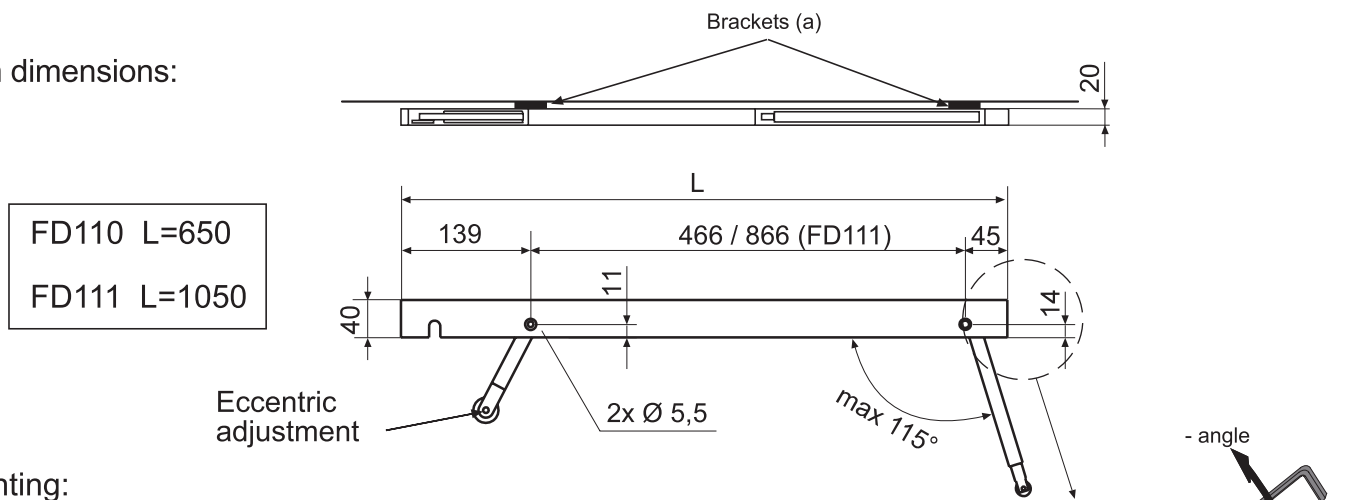
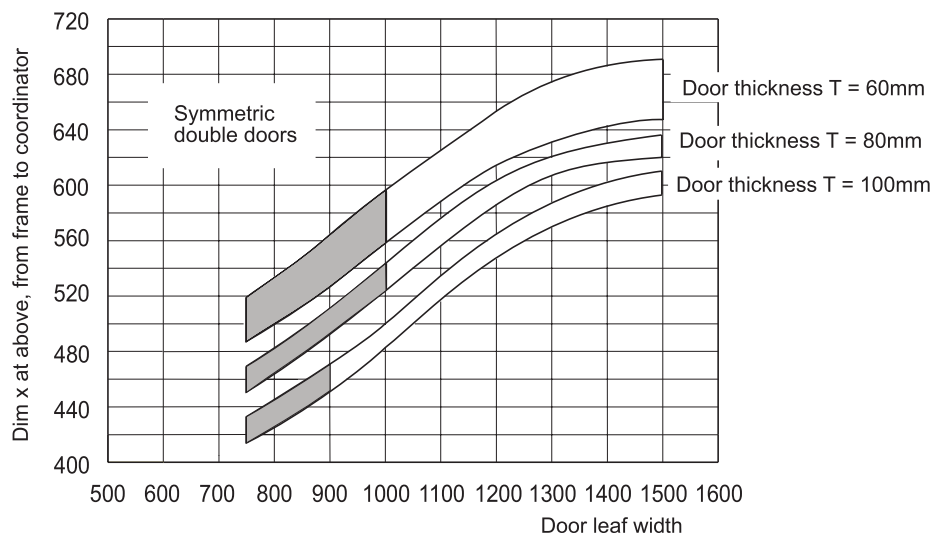
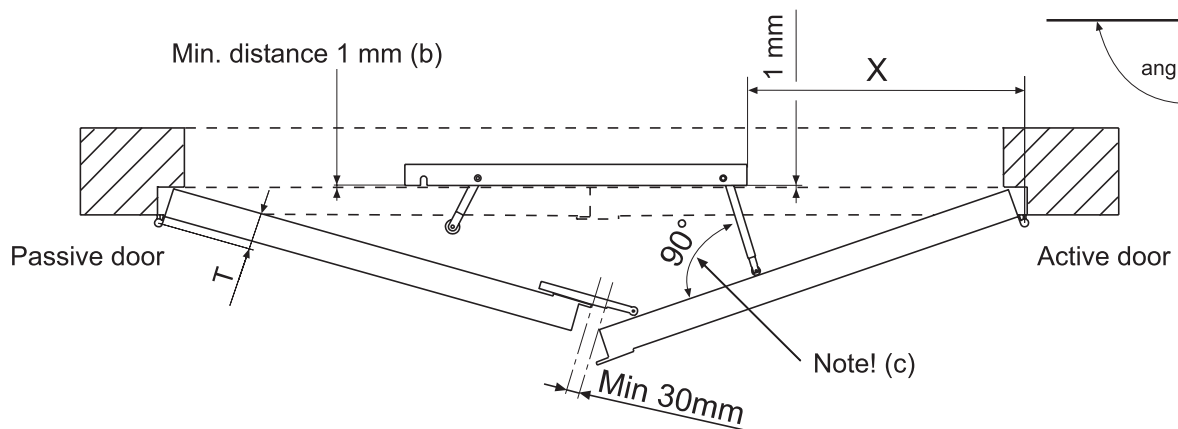


FD110 / FD111 mounting onto symmetric doors

Main dimensions:



Mounting:



- Min door leaf width 750mm
- FD110 is used for door leaves less than 1000mm (except exceptionally thick doors, over 100mm), grey curves at diagram above.
- Coordinator is fixed onto underedge of frame by two M5 x 30 machine screws (max torque 6 Nm), avoid exceeding max torque, causes jamming in operation.
- Use always brackets (a) between coordinator and frame to reinforce fixing, if frame material is thin or frame mount is slant.
- Min distance (b) from frame surface is 1mm.
- Adjust telescopic arm to 90° angle with door leaf (c). Screw for adjusting lies under plastic end cap.

FD110 and FD111 mounting onto asymmetric doors

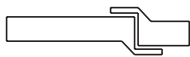
1. Model selection:

a. If passive door is over 650mm => FD111

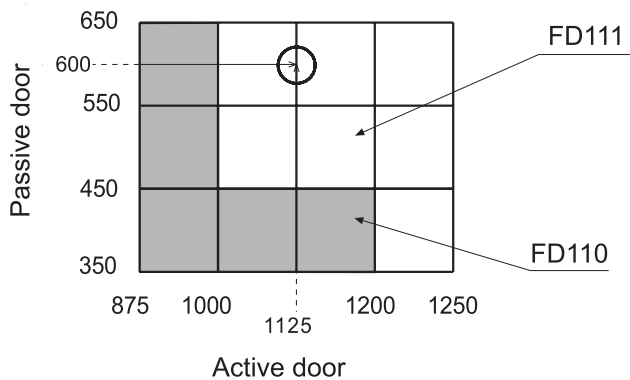
b. If passive door is less than 650mm, follow instructions according to tables on below.

- Select table according to door type and thickness.
- Draw straight line to according to active and passive door thickness, choose coordinator according to convergence point.

Door type A



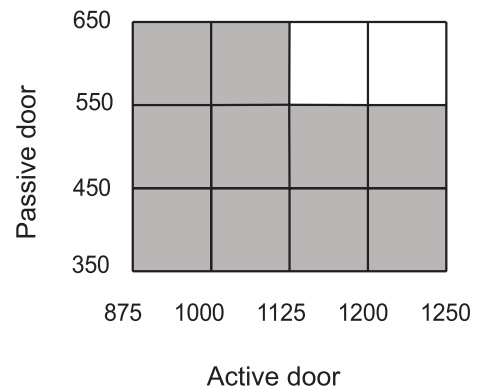
Door thickness 40 - 100mm



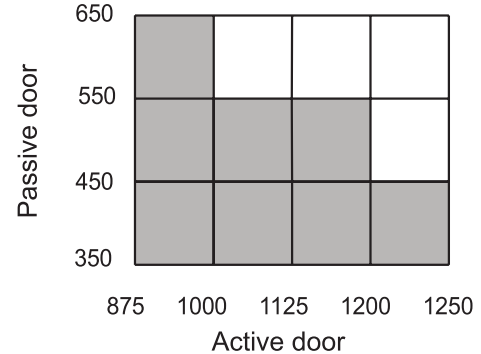
Door type B



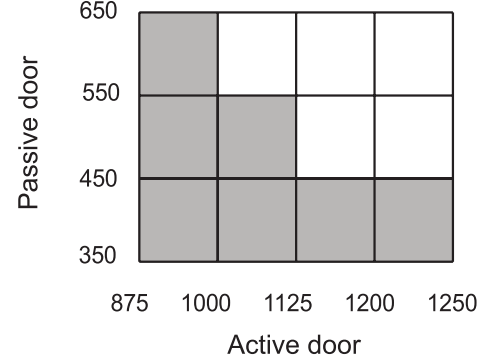
Door thickness 40 - 60mm



Door thickness 60 - 80mm



Door thickness 80 - 100mm



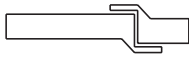
Example:

- Active door 1125mm
- Passive door 600mm
- Door thickness 60mm
- Door type A: lines cross at FD111 area.

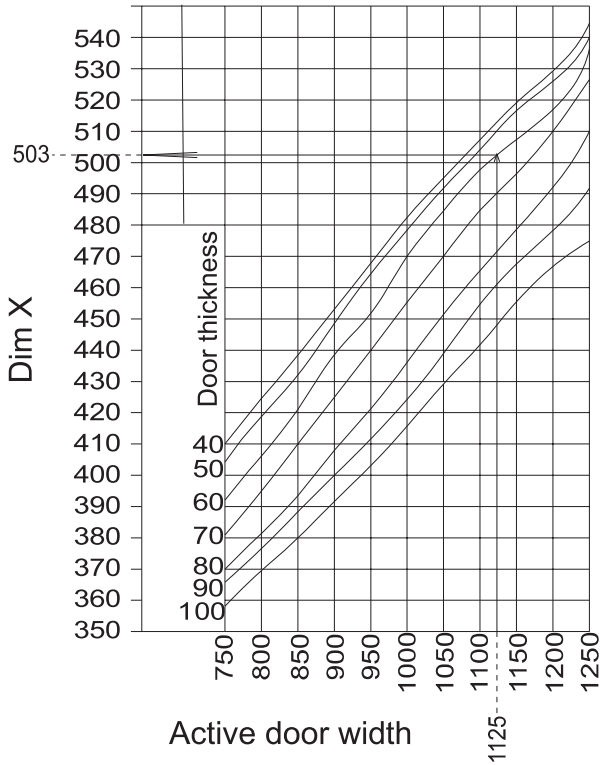
2. Defining dimension X, (distance from hinge, see page 1)

Dim X is defined at some of diagrams on below according to doortype. Note separate diagrams by door type A for FD110 and FD111.

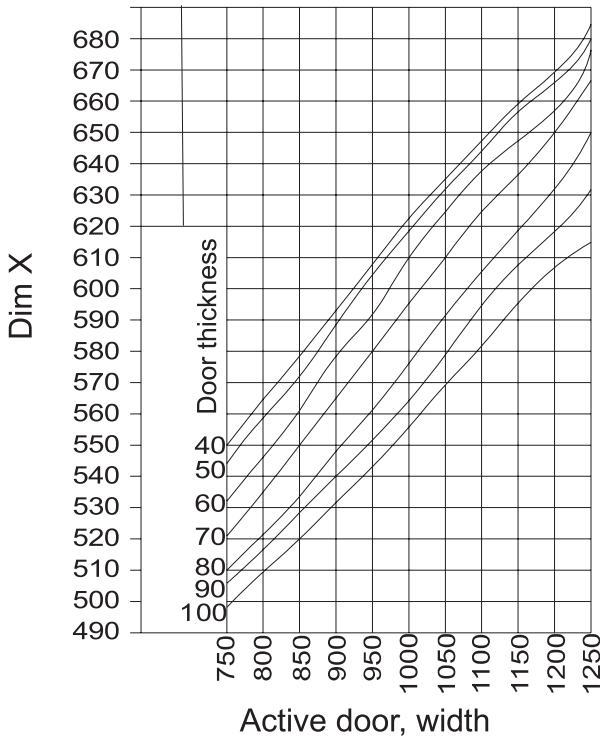
Door type A



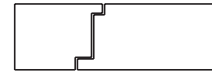
FD111



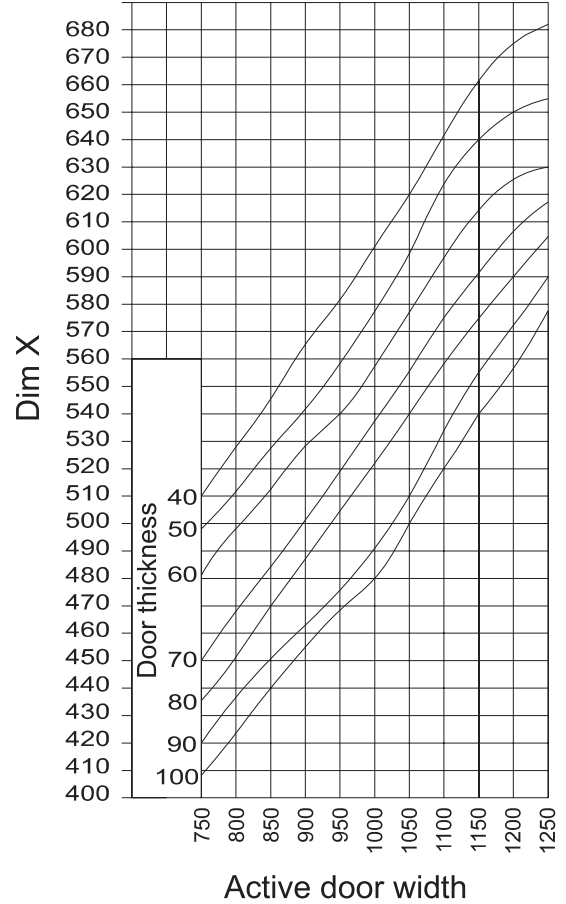
FD110



Door type B



FD110/ FD111



Example continues: Door type A, already chosen FD111. Active door 1125mm, door thickness 60mm => X = 503mm.