

ABLOY® EL260

Mechanical lock with microswitches for profile doors



Product description

The EL260 is a mechanical lock with microswitches for profile doors. The product uses Europrofile cylinders and can be opened outside by a key and inside by a handle. The lock deadlocks automatically when the door closes. EL260 has a double action latch which makes the products handing reversible. Additionally, it has a 20mm deadbolt which enhances the strength of the product. As said earlier the product has microswitches for indications and is a combination of an electric and a mechanical lock. The indications of the microswitches are specified below.

The product is EN179 and EN1125 certified when assembled according to instructions. These standards make the product suitable for door environments where passing through in one direction must always be possible.

Overview of Advantages

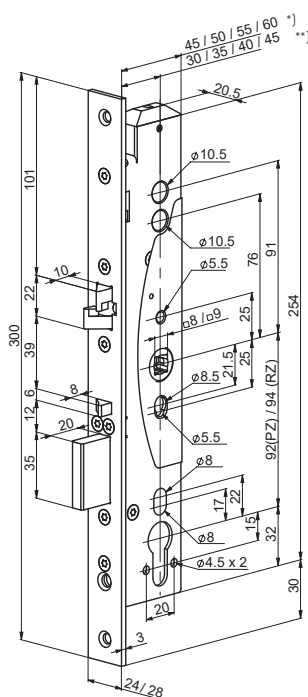
- Exit function by handle or panic bar
- Suitable for fire doors
- Cross latch which makes to handing reversible
- Automatic deadlocking when closed
- 20 mm deadbolt
- Microswitches for indications
 - Bolt deadlocked
 - Lock open
 - Door status
 - Handle down
 - Cylinder used
 - Sabotage loop

Scope of delivery

- Lock case
- Accessory set

Ordered separately

- Handle set (e.g. DH622)
- Strike plate (e.g. EA324)
- Cylinder (e.g. CY321T)



Technical data

Handing	Reversible
Exit function	Yes
Latch	Cross latch
Backsets	30 mm / 35 mm / 40 mm / 45 mm
Spindle size	8 mm / 9 mm
Dead bolt	Yes, 20 mm
Input operating voltage	12-24 VDC
Rated current consumption	12 V DC idle 240 mA, max 550 mA 24 V DC idle 130 mA, max 300 mA
Relay capacity	Max. 0.5 A 30 V AC/DC resist. 10 W
EN14846:2008	3 S 8 C - L 6 1 NPD
EN179:2008	0432-CPR-00008-01
EN1125:2008	0432-CPR-00008-02