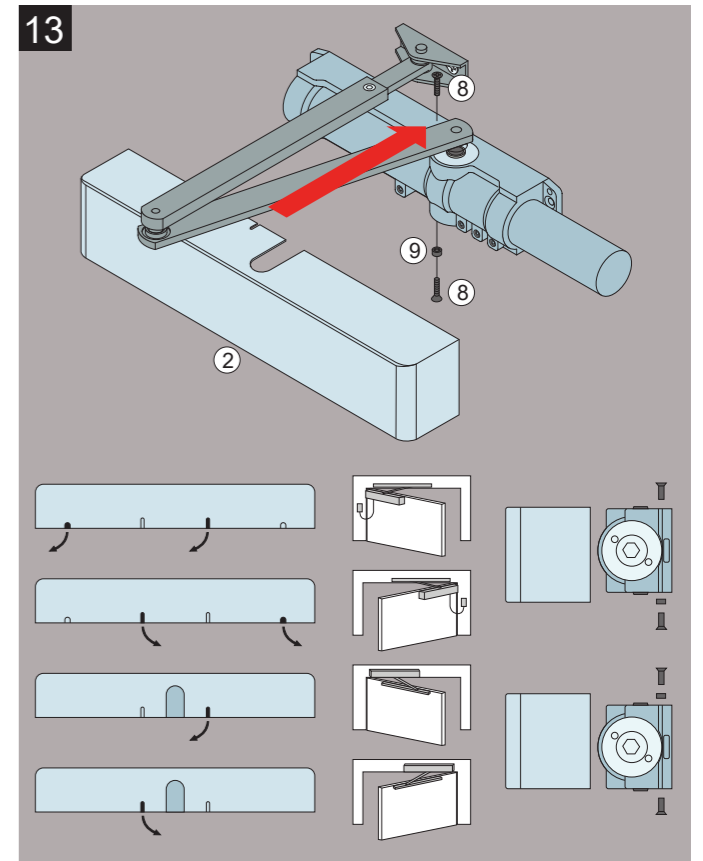
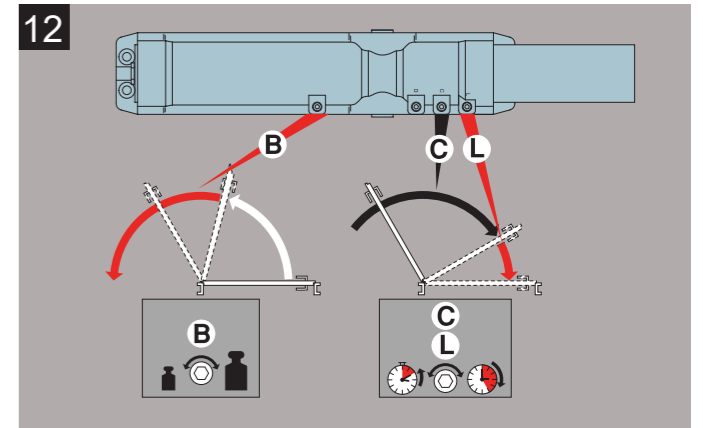
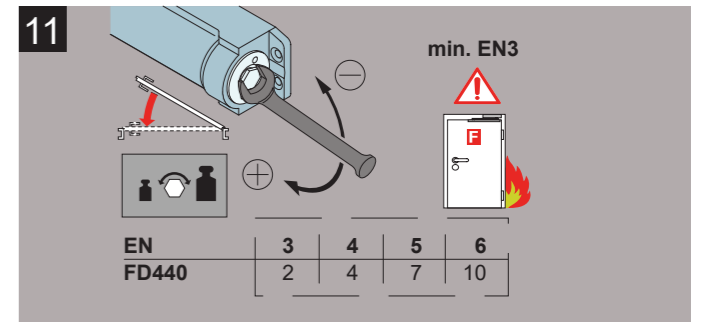
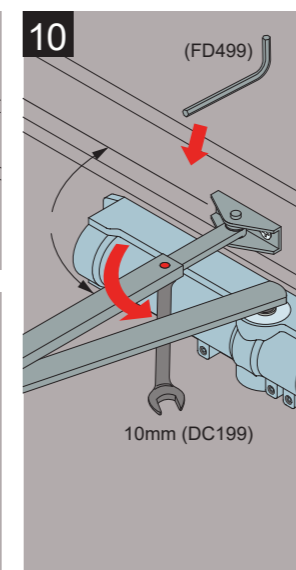
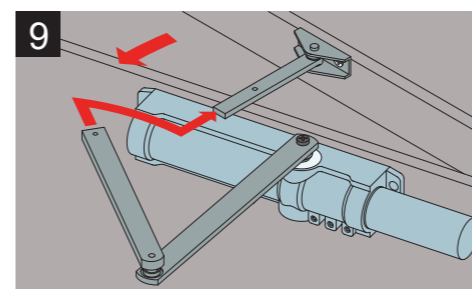
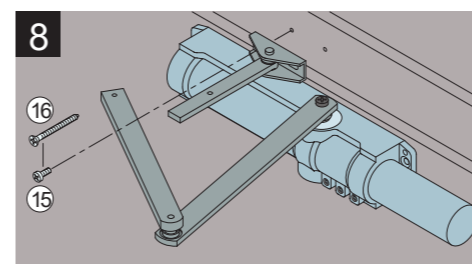
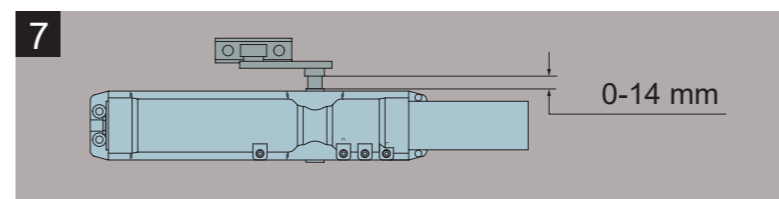
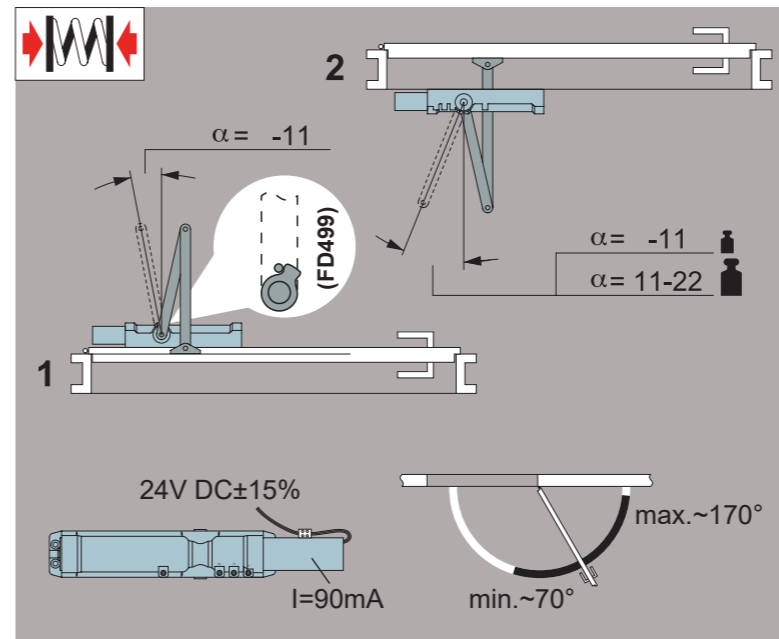
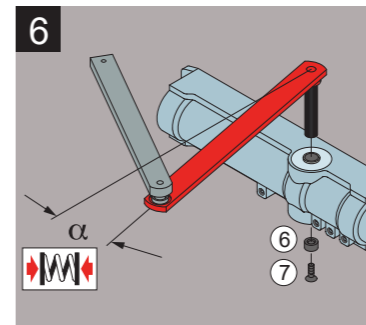
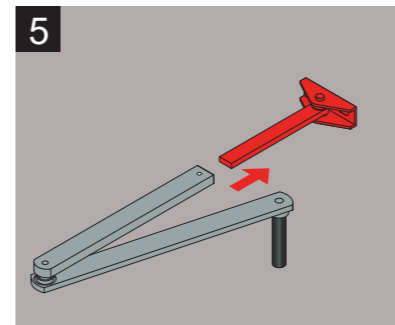
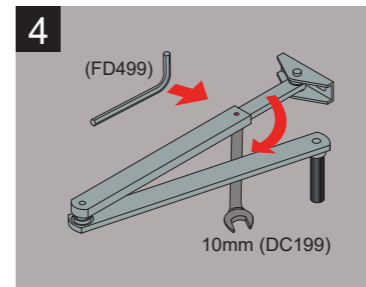
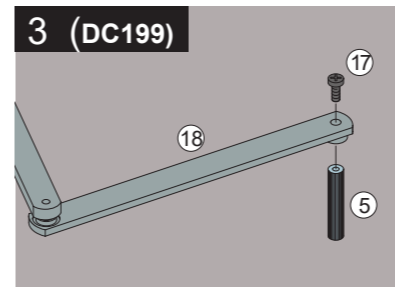
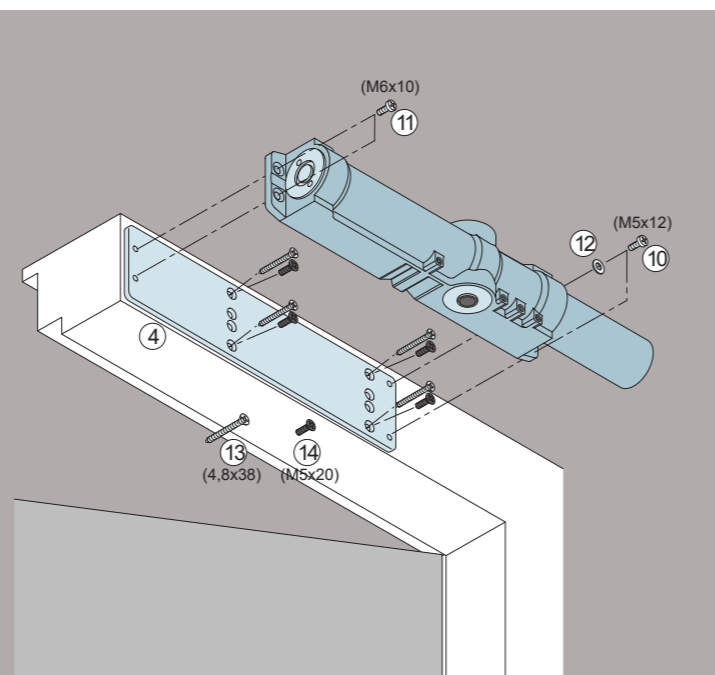
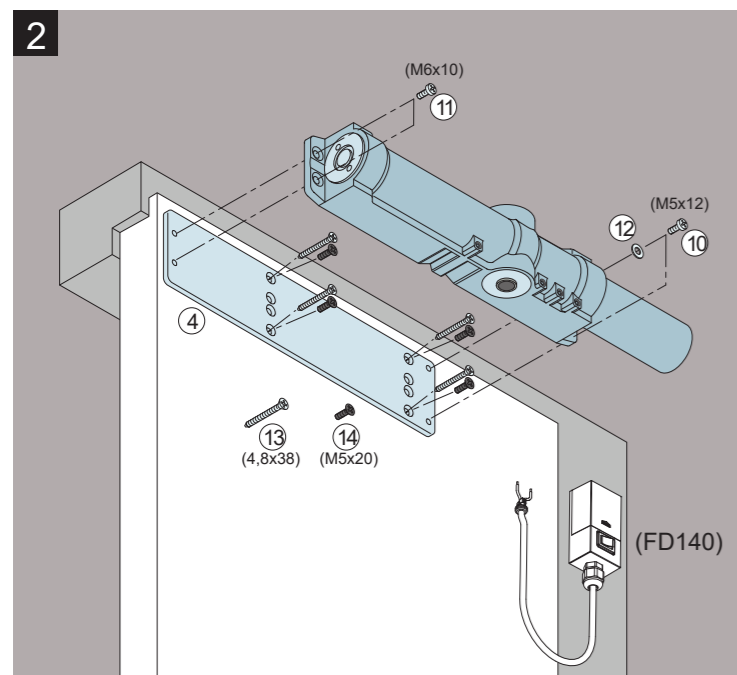
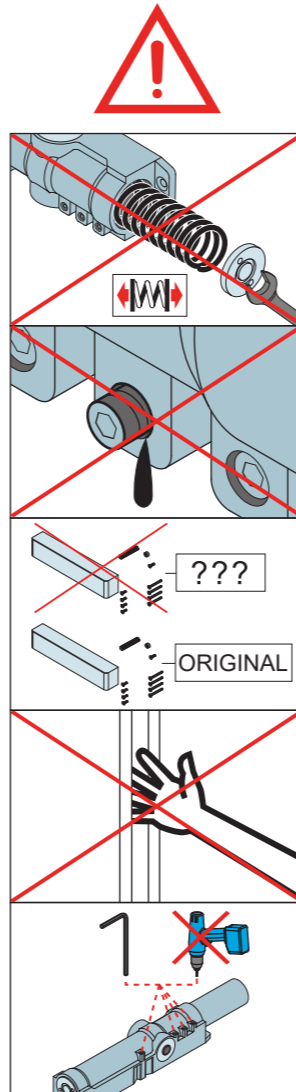
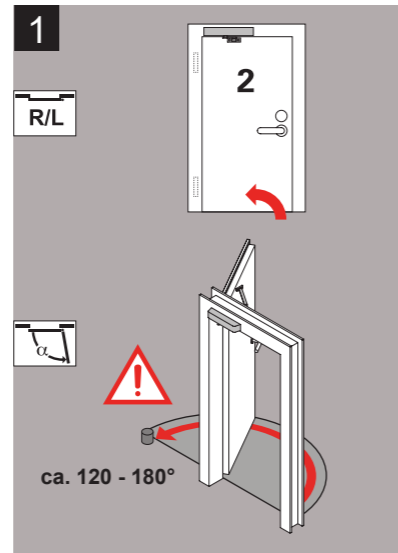
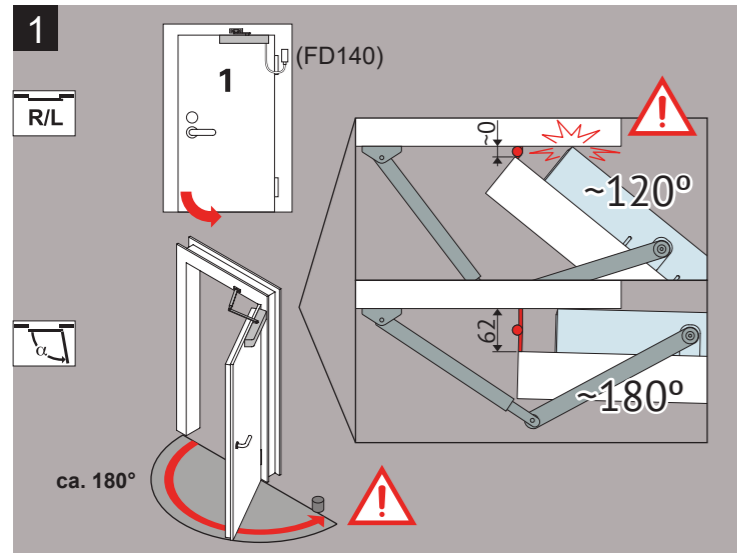
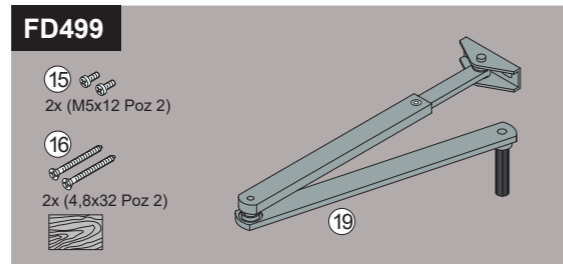
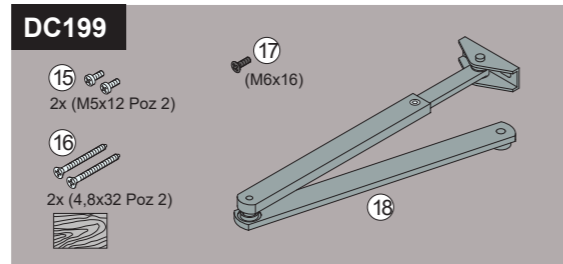
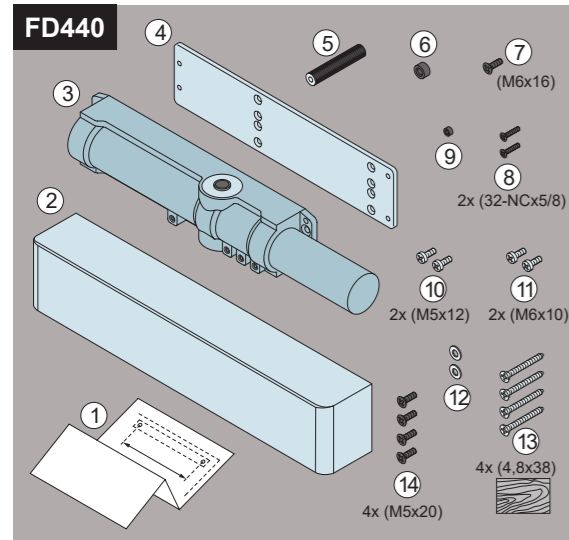


FD440



FD440 + DC199/FD499

Intended use:
On fire and smoke compartmentation doors

AVCP 1

Abloy Oy,
PO Box 108
80101 Joensuu
Finland

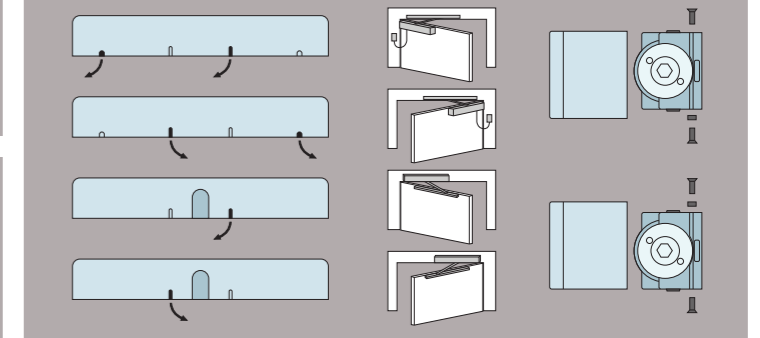
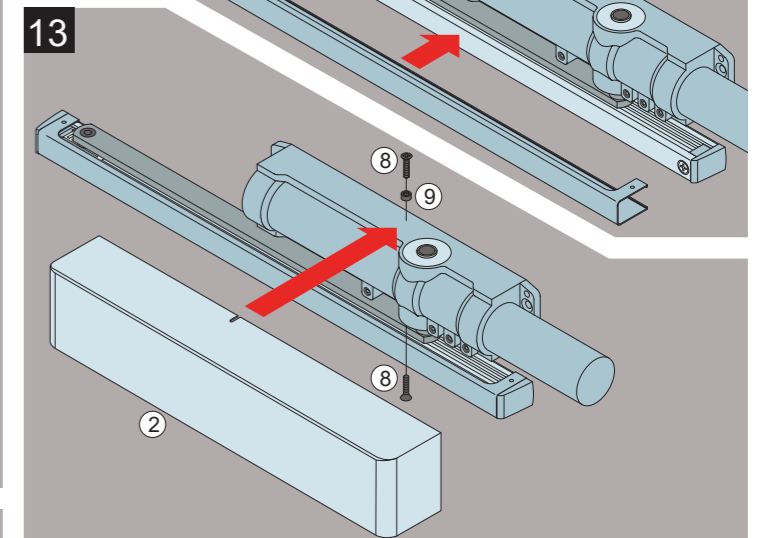
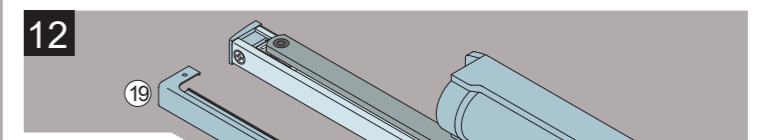
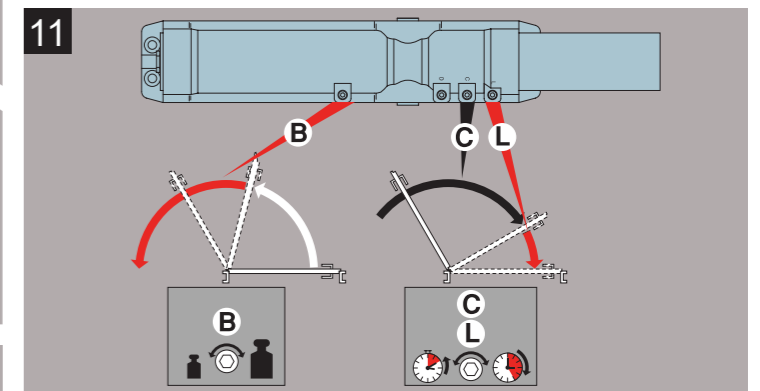
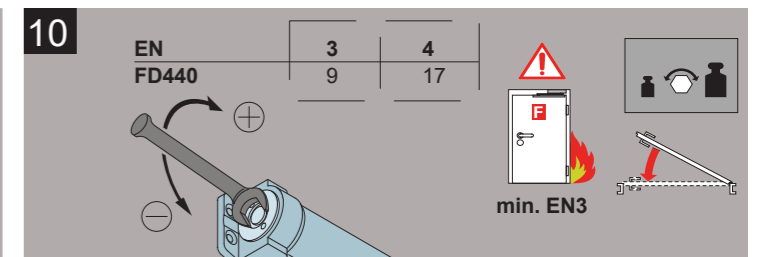
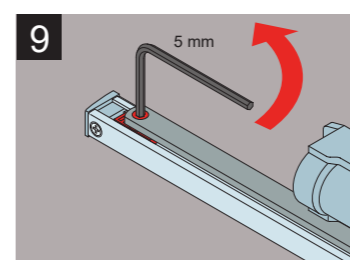
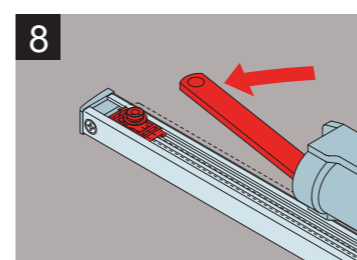
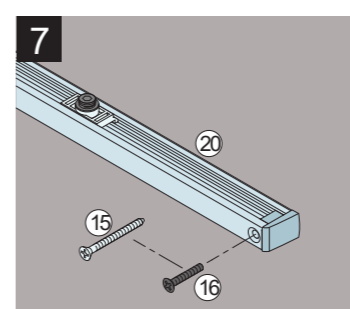
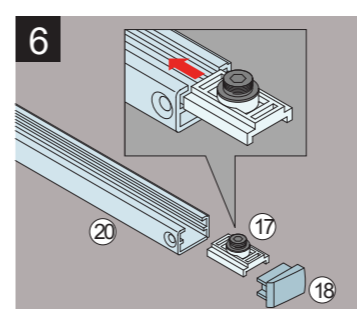
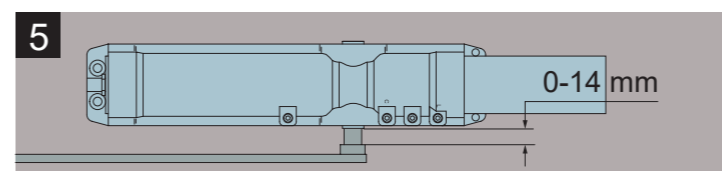
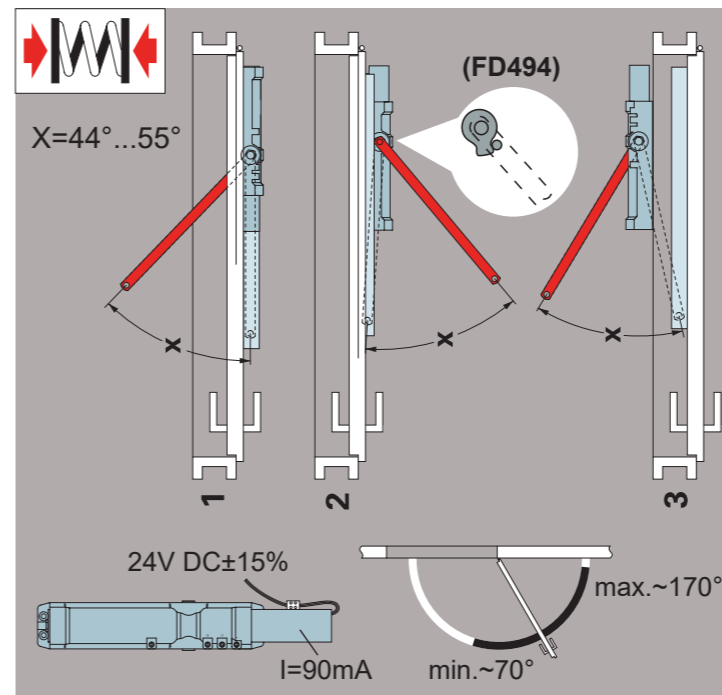
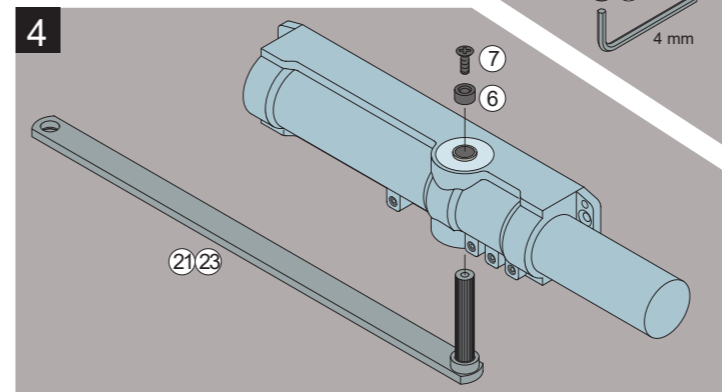
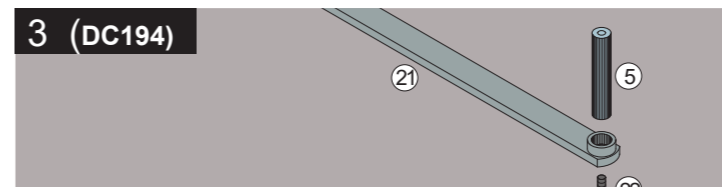
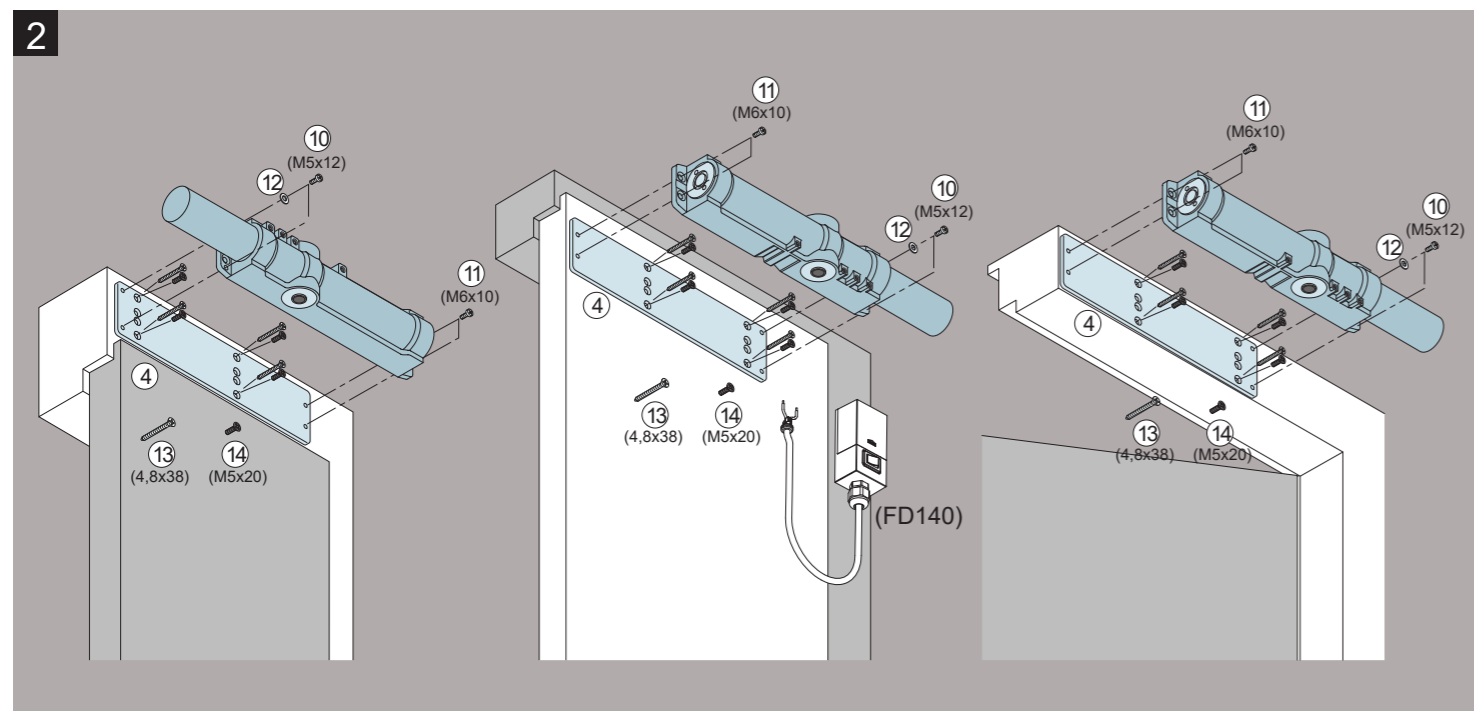
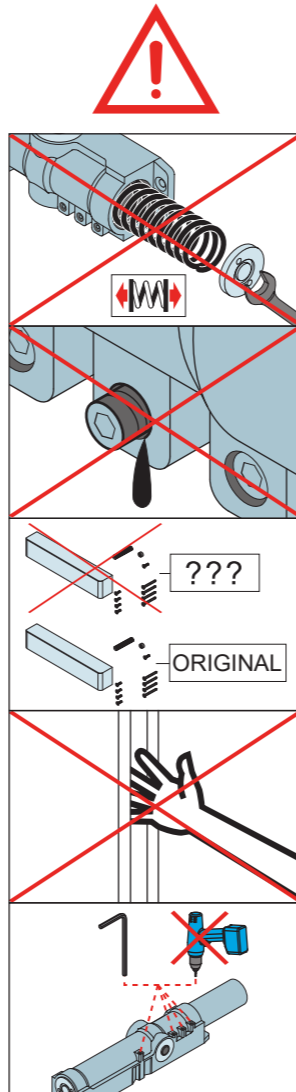
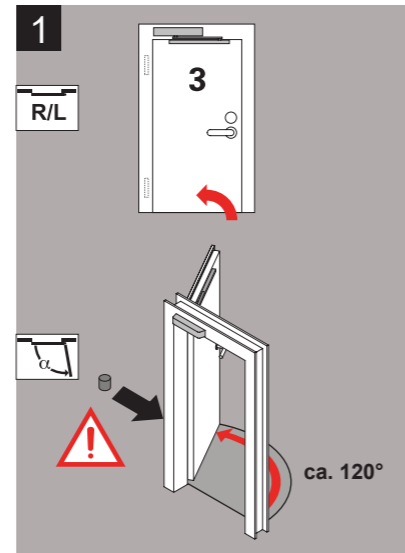
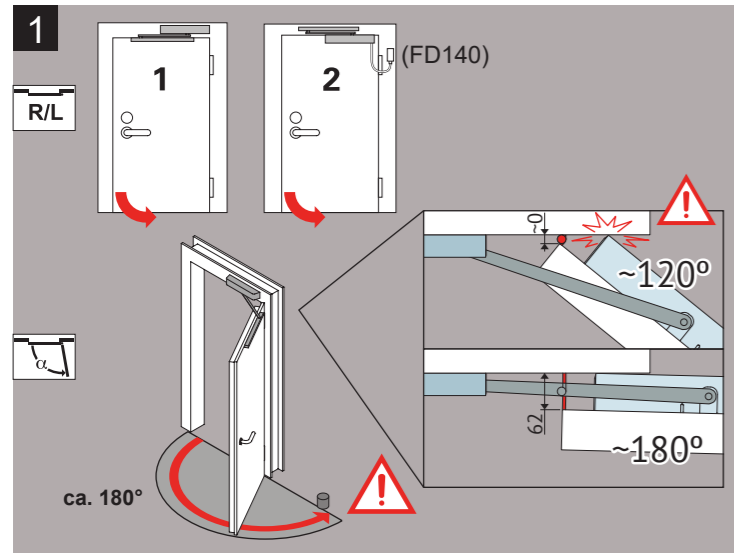
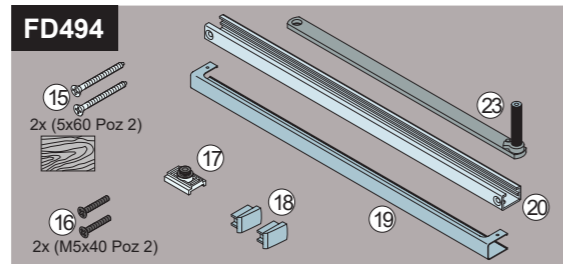
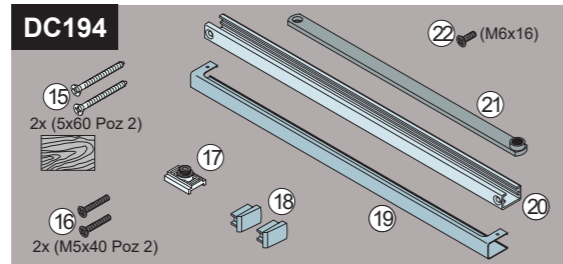
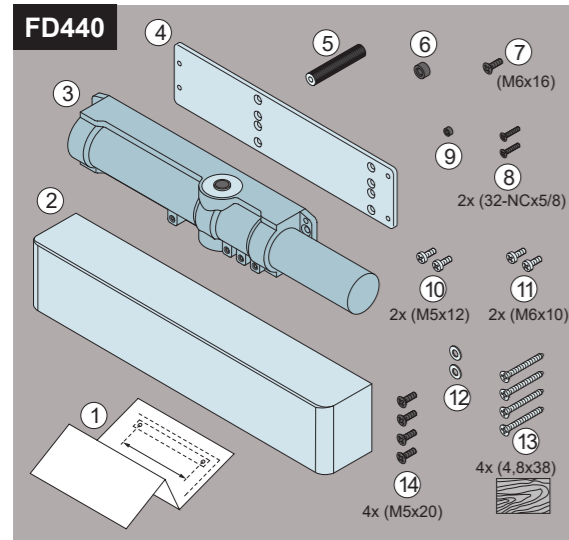
0432-CPR-00008-08 EN 1155:1997/A1:2002/AC:2006
0432-CPR-00008-08.01

FD440	3	8	6	1	1	3
DC640	3	8	4	3	1	1

Dangerous substances: None

www.abloy.com/dop

FD440



FD440 + DC194/FD494

Intended use:
On fire and smoke compartmentation doors

AVCP 1

CE

Abloy Oy,
PO Box 108
80101 Joensuu
Finland

0432-CPR-00008-08
0432-CPR-00008-08.01

EN 1155:1997/A1:2002/AC:2006

3	8	6	1	1	3
3	8	4	3	1	1

www.abloy.com/dop

Dangerous substances: None

ABLOY

An ASSA ABLOY Group brand ASSA ABLOY