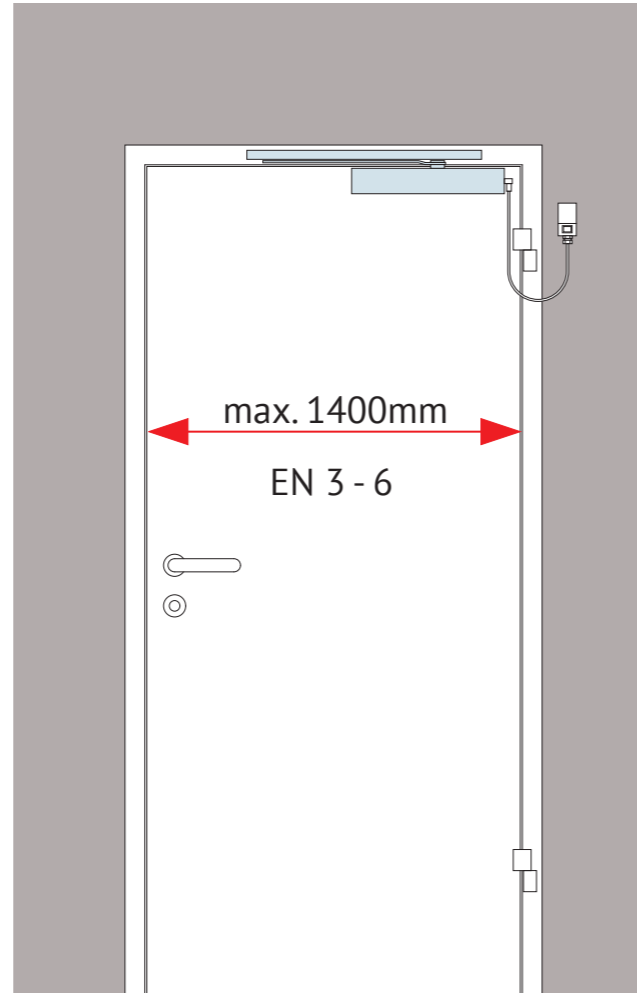
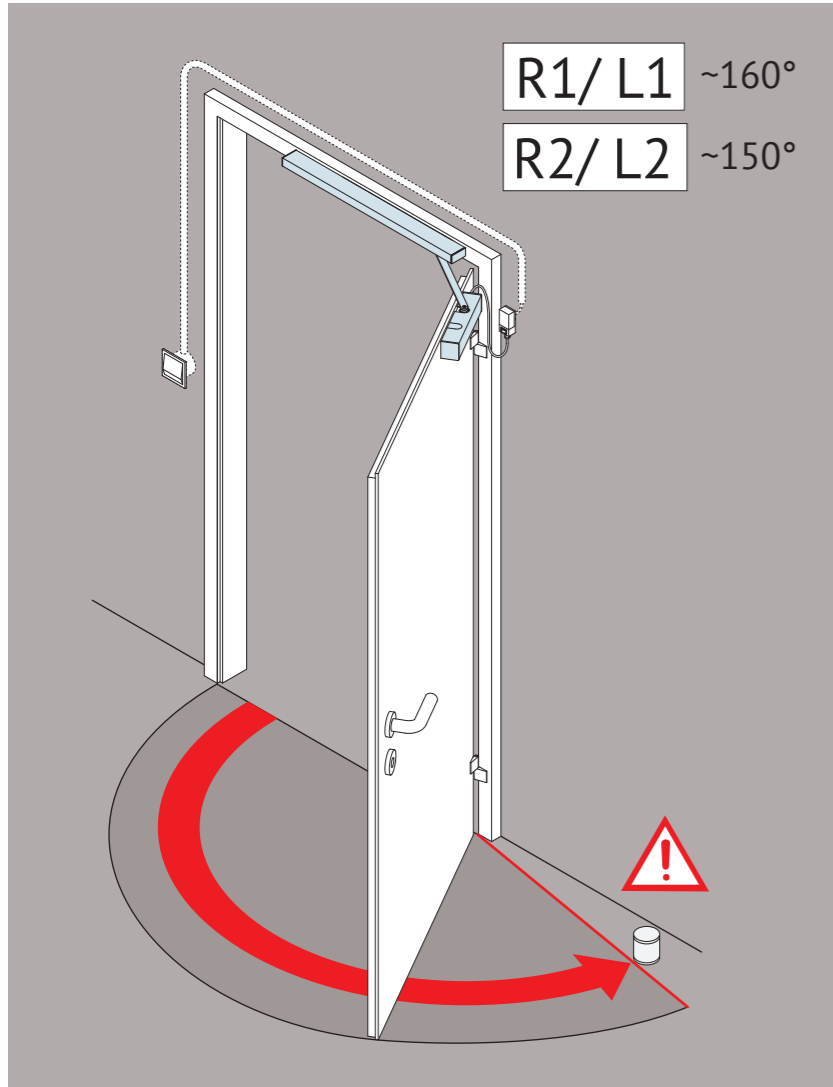
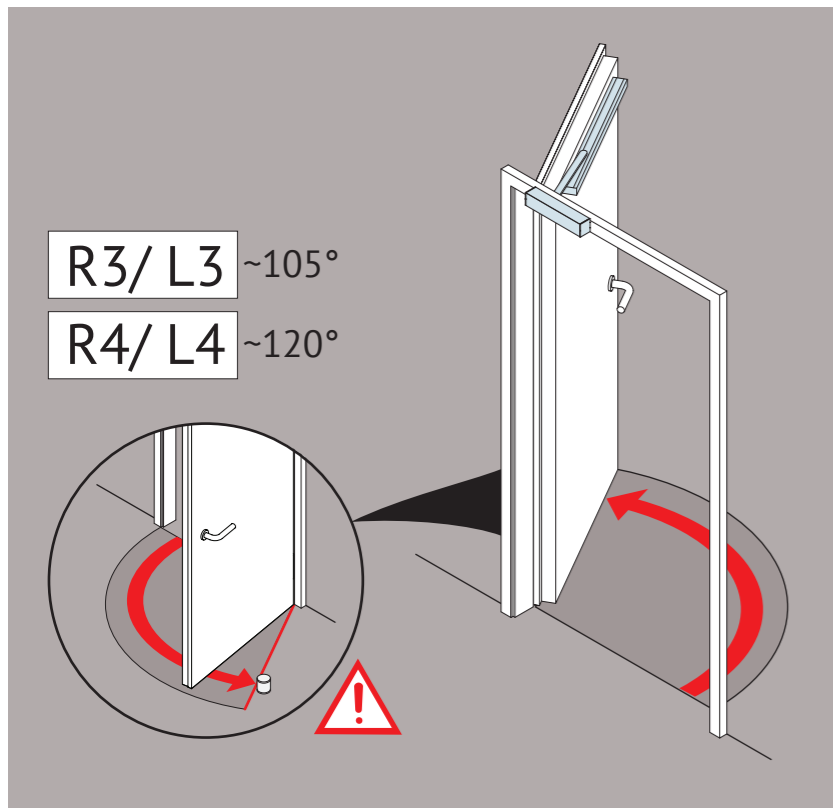


FD740 + FD495



U_B : 24 V DC \pm 15%
I: 90 mA
100% ED



CE	Abloy Oy, PO Box 108 80101 Joensuu, Finland	15
FD740	EN 1155:1997/A1:2002/AC:2006-02 EN 1154:1996/A1:2002/AC:2006-02 0432-CPR-00008-05 Dangerous substances: None	3 8 6 1 1 3

www.abloy.com/dop

